

INSTRUCTIONS AND GUARANTEE

Earlex[®]
combi vac[®]
WET 'N DRY VACUUM & BLOWER



PLEASE READ THESE INSTRUCTIONS CAREFULLY BEFORE USE

RETAIN FOR FUTURE REFERENCE

EARLEX LTD. WILL ACCEPT NO RESPONSIBILITY FOR THE USE OF THIS PRODUCT IF USED FOR ANY OTHER PURPOSES THAN THOSE DETAILED HEREIN.

PLEASE READ BEFORE USE

- Do not leave appliance unattended when plugged in. Unplug from outlet when not in use and before servicing and cleaning.
- To avoid electric shock, do not expose to rain. Store Indoors.
- Never pick up inflammable or combustible liquids such as petrol or other volatile substances. Do not vacuum boat bilges since flammable liquids or fumes may be present.
- Never use in the presence of explosive liquids, vapours or explosive dust - such as coal or grain.
- Never pick up asbestos or asbestos dust.
- Do not pick up anything that is burning or smouldering - such as cigarette ends, hot coals, matches or similar.
- Do not allow the cleaner to be used by children.
- Only use the product as detailed in these instructions.
- Use only manufacturers recommended attachments and consumables.
- Never modify the cleaner in any way - this is dangerous and will invalidate the guarantee.
- Do not use cleaner without the filter in place.
- If motor sound becomes higher pitched always check for the following:
 - 1) Blocked hose or accessory.
 - 2) Blocked filter.
 - 3) Full container.
- Never try to move the cleaner by pulling with the mains lead.
- Always check that the filter is clear and not blocked. Keep all openings clear of any blockages.
- When lifting the unit always hold it with both hands under the rim of the container. Beware of excess weight.
- This appliance is not intended for use by persons (including children) with reduced physical, sensory or mental capabilities, or lack of experience and knowledge, unless they have been given supervision or instruction concerning use of the appliance by a person responsible for their safety.
- Always switch the unit off before changing between vacuum and blower functions.
- Earlex recommend the use of appropriate ear protection when using this product.
- Sound Pressure Level 80dB (A).

INTRODUCTION

Thank you for purchasing an Earlex CombiVac®. The uses for this product around the home, garage, workshop and garden are numerous and we hope you will find the product is in constant use. This cleaner can be used for picking up all kinds of dry material such as dust, brick dust, nails, broken glass, leaves, litter, wood shavings etc. In wet mode it can pick up various types of liquid spills and help to unblock sinks. In blow mode it can be used for jobs such as collecting leaves into piles, dusting out the garage or workshop.

Due to the heavy duty nature of a wet & dry cleaner the motor may sound louder than your normal cleaner. In order to be able to pick up liquids, a special by-pass motor is fitted so that the liquid can be deposited into the recovery tank without going through the motor.

Before leaving our factory each unit has been checked to ensure that it meets our high safety, quality and performance standards.

NOTE

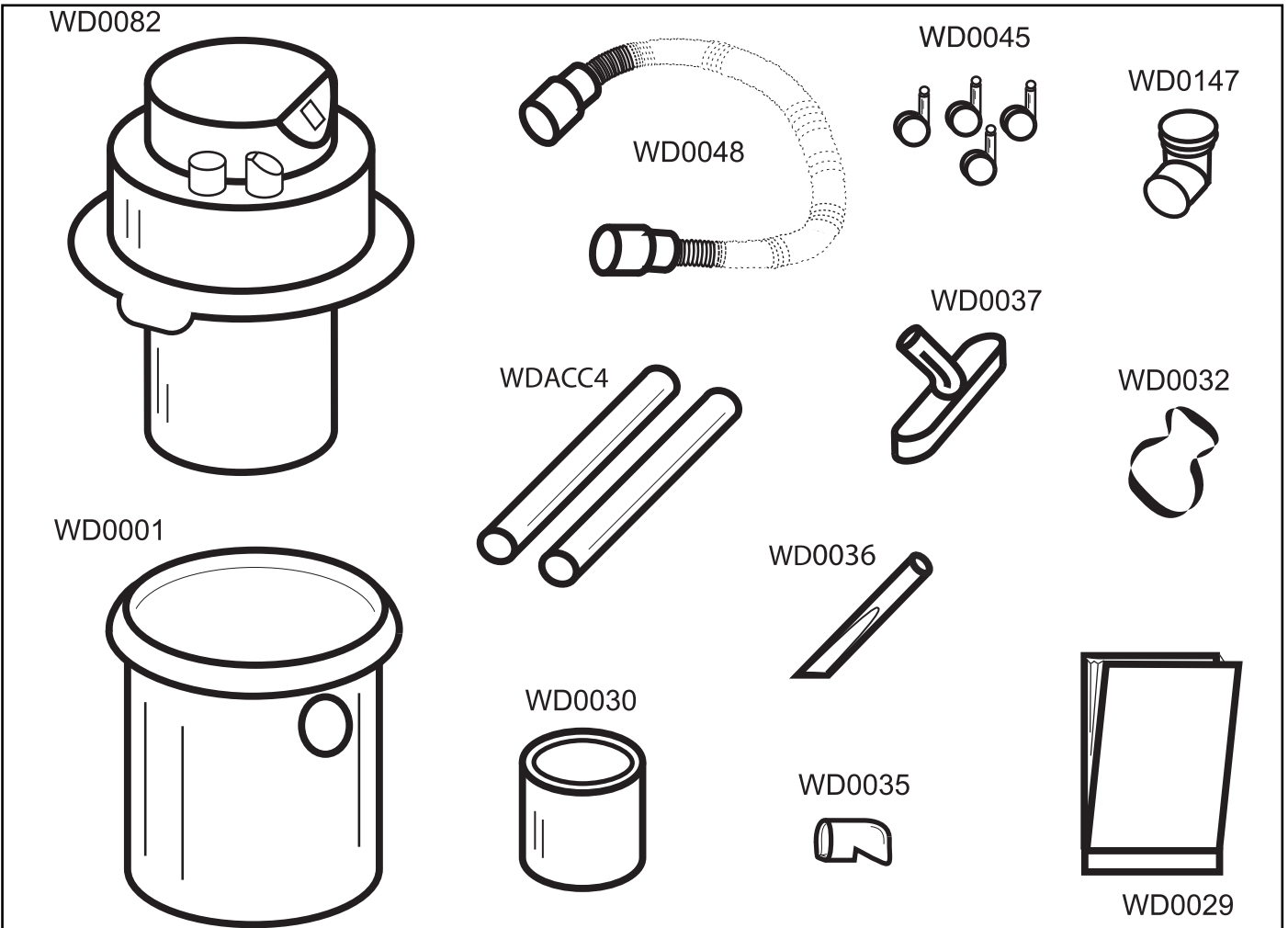
The standard floor head supplied with the CombiVac® is designed as a general purpose tool and does not give the same performance as a conventional vacuum cleaner when used on carpets. For improved performance when using the CombiVac® to clean carpets we recommend the use of the Deluxe Floor Head accessory (WDACC2). This includes a brush attachment for use on carpets.

IF YOU HAVE ANY PROBLEMS WITH YOUR COMBI VAC OR IF YOU BELIEVE A PART IS MISSING, DO NOT RETURN TO STORE. PLEASE CONTACT EARLEX LTD ON 01483 454666.
--

COMPONENTS

The following components are included in the kit (as illustrated below)

WD0001	Recovery Tank	WD0036	Crevice Tool
WDACC4	Extension Tubes x 2	WD0037	Floor Head
WD0029	Paper Filter	WD0045	Castors x 4
WD0030	Foam Filter	WD0048	Hose
WD0032	Rubber Band	WD0082	Motor Housing Assembly
WD0035	Hose Inlet	WD0147	Outlet Elbow



UNPACKING AND SETTING UP

- 1) Remove all packing materials and accessories and lift unit out of the box.
- 2) Release the two tank clips and lift the motor housing off from the recovery tank.
- 3) Remove all components from inside the tank.
- 4) Turn the tank upside down and insert the 4 castors. These should be pushed in hard until they stop. Once installed these remain in place permanently.
- 5) Push the Hose Inlet into the hole in the side of the Recovery Tank. The Hose Inlet must be pushed in from the outside of the Recovery Tank ensuring that the lug on the side of the Hose Inlet is lined up with the slot in the hole in the Recovery Tank. Grasp the Hose Inlet from inside the Recovery Tank and pull with an up and down motion to engage. Make sure that the clips on the top and bottom of the Hose Inlet are fixed into place inside the Recovery Tank. Once installed the Hose Inlet can remain in place permanently.
- 6) Fit the outlet elbow to the outlet on the motor housing. The outlet elbow can be used to deflect airflow from the motor away from the work area.

FILTER INSTALLATION

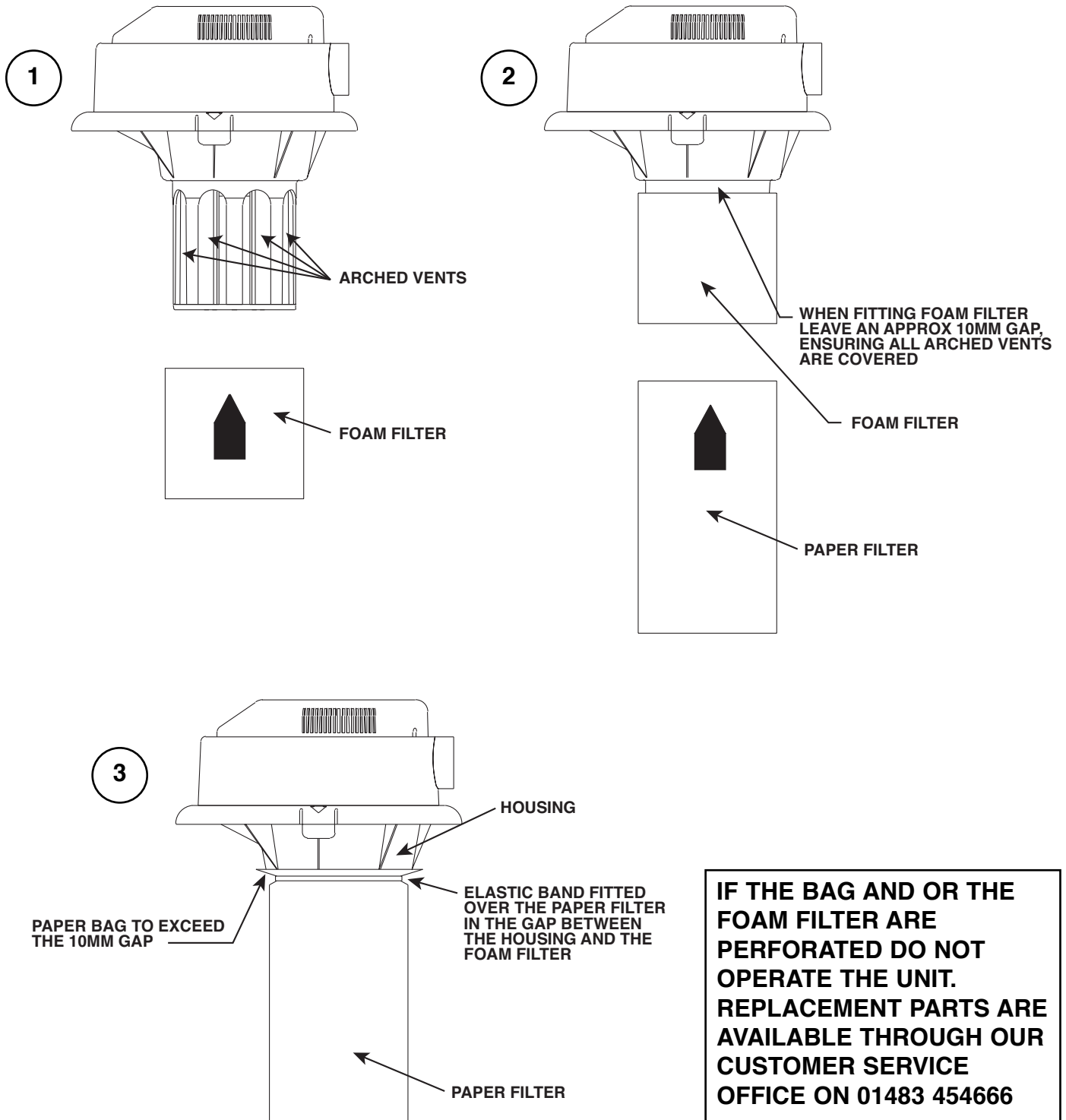
WARNING

DISCONNECT POWER SUPPLY BEFORE OPENING

CAUTION

NEVER OPERATE THIS CLEANER WITHOUT THE CORRECT FILTER FITTED

Failure to do this will invalidate the guarantee. A clean filter is essential for this cleaner to operate efficiently. If the filter becomes clogged or damaged or fails to operate you must fit an Earlex replacement. Details are supplied with the cleaner. Dry Filter Part No WD0029, Foam Filter Part No WD0030.



FILTER SYSTEM

The cleaner is supplied with 2 filters, one is made of foam and the other of paper. It is **extremely important** that you use these correctly.

DRY PICK UP

The foam filter requires to be fitted. To install this, slide the foam filter down over the float cage until it touches the top - see illustration. Treat the filter with care as you install it. The foam filter must be dry before fitting the paper filter.

Once the foam filter is installed, slide the paper bag filter over the top of the foam filter. Use the rubber band to secure the paper filter in position, making sure this fully covers the foam filter, and up to the shoulder of the moulding. A clogged filter can lead to overheating of the vacuum cleaner, periodically lightly brush down accumulated dirt build up on the paper surface with a soft brush.

WET PICK UP

For wet pick up you only require the foam filter.

DO NOT USE THE PAPER FILTER FOR WET PICK UP. You will need to gently clean the foam filter from time to time. This should be gently washed through in warm soapy water until all traces of dirt have been removed. Then rinse through with cold water and allow to dry.

NOTE - It is essential that the foam filter is thoroughly dried before installing paper filter.

Notes

You will need to periodically replace the paper filter bag. See the leaflet on consumables.

A heavy duty combined wet and dry cartridge filter is available as an optional extra. This can be permanently fitted and saves having to change filters for different uses.

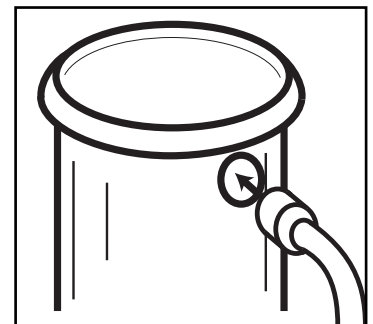
The cleaner does not collect dry matter into the paper bag filter. This is collected in the main recovery tank. The paper bag is a filter to stop the dust from entering the motor.

NEVER OPERATE THIS CLEANER WITHOUT THE CORRECT FILTERS IN PLACE.

ASSEMBLING THE HOSE

The hose has a swivel connector fitted to one end and an extension tube connector to the other. When using the vacuum facility fit the swivel connector into the inlet in the side of the recovery tank (see illustration).

Fit one of the extension tubes into the other end of the hose, making sure you slide this on as far as possible. If required the second extension tube can now be added and either the floor head or the crevice tool fitted into the end. The cleaner can be used without either of these tools if required.



OPERATION

- 1) Ensure that the motor housing has been clipped onto the base in the correct position, with the air outlet opposite the vacuum inlet hose. Failure to observe this will allow the filter to foul the internal inlet pipe.
- 2) Unwind the mains lead fully and connect to the mains or extension lead.
- 3) Switch unit on.
- 4) Operate as required.
Beware of discharged air from the outlet on the motor housing.

FLOAT SHUT OFF

The cleaner is protected by an automatic shut-off float valve when it becomes full of liquid. This will become apparent to you as the motor will start to make a high pitched noise. If this happens:

- 1) Switch the unit off.
- 2) Disconnect from the mains.
- 3) Lift the hose up to drain any excess liquid back into the container.
- 4) Empty the contents of the tank.
- 5) Try to keep the hose raised whilst emptying out the liquid, this can help eliminate any spills.

WARNING - BE CAREFUL WHEN EMPTYING THE TANK - IT MAY BE HEAVIER THAN YOU THINK.

Important

The float valve is a safety device, do not attempt to remove this or modify it, it is there for your safety.

Should the cleaner overturn during use, switch the unit off immediately, return to the upright position and wait until the float valve has repositioned itself.

If collecting soapy water you will need to regularly check whether the unit requires emptying as the lather can bypass the float system and there can be a discharge of foam! Should this occur switch off the unit, wash out any foam in the filter and tip away any water around the outlet on the motor housing, before restarting.

EMPTYING TANK

WARNING - TAKE CARE, THE TANK MAY BE HEAVIER THAN YOU THINK.

- 1) Switch off the unit and unplug from the socket.
- 2) Unclip the motor housing from the recovery tank.
- 3) Empty tank of all contents - making sure that you are protected against any sharp objects. Beware of excess weight.
- 4) Clean filters (change if necessary).
- 5) Check and clean any blockages within the unit.
- 6) Replace motor housing, plug in and continue as before.

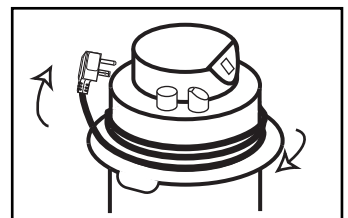
BLOWER FUNCTION

- 1) The CombiVac® can be used as a powerful blower by inserting the hose into the outlet on the motor housing.
- 2) Always ensure that the hose, tank and accessories have been cleaned of any debris before operating the blower function.
- 3) You should always protect your eyes with safety goggles when using this function and ensure that no one else is in close proximity.
- 4) The paper bag filter is not required when using the blower.
- 5) Uses include: blowing leaves into piles, blowing out dust from difficult to get to areas, faster drying of paint.

Note - Always switch the unit off before changing between vacuum and blower functions.

STORAGE

- 1) Clean out the container and wipe the surface of the unit over with a damp cloth.
- 2) Wrap the mains lead around the upper moulding as shown in illustration and clip plug to lead.
- 3) Locate the 2 extension tubes onto the taller posts on the cleaner top with the nozzle tool and floor head on the lower angled posts.



TROUBLE SHOOTING

IF A PROBLEM OCCURS ALWAYS SWITCH THE UNIT OFF IMMEDIATELY

Motor does not operate.	Check unit is plugged in and switched on. Check fuse in plug - replace only with a fuse of the same rating - 13 amps approved to BS1362. If using extension lead check the fuse in this lead.
Motor operates but cleaner fails to pick up.	Check if the cleaner needs emptying. Check and clear any blockages within the system. Check that both foam and paper filters are clean and not damaged.
Motor makes high pitched noise.	Check if cleaner needs emptying and the float valve has operated.
Dust/grit blowing from outlet.	Check filter is correctly fitted, if heavy duty filter is used check that it is fully pushed into position.

Maintenance

After wet pick up empty, rinse and dry the recovery tank, hose and accessories. If vacuuming/collecting sticky spills, clean the tank and accessories with warm, soapy water.

Periodically replace the paper filter. Wash dirt from the foam filter using soapy water. This will improve its performance. Thoroughly dry before installing paper filter.

Do not oil the motor. It is lubricated for life.

There are no serviceable parts inside the cleaner apart from the filters.

AFTER SALES SERVICE

A range of accessories together with all spare parts are available from our main office

IF YOU REQUIRE FURTHER ASSISTANCE THEN PLEASE CONTACT OUR HELPLINE ON

Tel: 01483 454666 Fax: 01483 454548 email:enquiries@earlex.co.uk

Opening Hours: Monday-Thursday 08.30 - 17.00, Friday 08.30 - 15.45 (Excluding Bank Holidays)

ACCESSORIES AND SPARE PARTS

A range of spare parts are available for the CombiVac®. To order please contact our helpline on 01483 454666. Opening Hours: **Monday - Thursday 08.30-17.00, Friday 08.30-15.45** (Excluding Bank Holidays)

WDACC2 - Deluxe Floor Head with hard floor, brush and squeegee attachments. Wider head for greater coverage, suitable for carpets and faster pickup of debris and spills.

WDACC10 - Pack of three spare foam filters.

WDACC11 - Pack of three spare paper filters.

WDACC13 - Combined Wet & Dry Filter no need for foam filter or paper filter and no need to change between filters for dry or wet pickup.

WDACC14 - Wide Bore Tool Kit for larger debris such as rubble and leaves.

WDACC16 - Sink Deblocker - clears blockages from sinks, baths and showers.

WDACC18 - Combispray - Multipurpose spray gun

WDACC19 - Dust Collection bags - Dust bags suitable for collecting fine dust.

MAINS CONNECTION

This unit is a Class II appliance which means it is double insulated for your protection, no earthing wire is necessary.

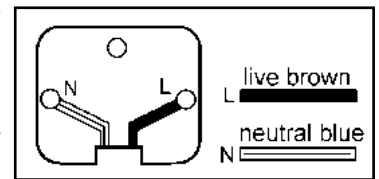
If the supply cord is damaged, it must be replaced by Earlex Ltd or our appointed agents.

Your unit has been supplied with a mains lead with a fitted plug. This is identified by the fuse holder in the base of the plug. Please read the following safety instructions before use.

1. If the fitted plug is cut off from the mains lead then the plug must be disposed of safely.
NEVER under any circumstances insert such a plug into a 13 amp socket.
2. **NEVER** under any circumstances use the appliance or mains lead without the fuse cover fitted. This is the little cover fixed into the base of the plug to hold the fuse in place.
3. If you lose the fuse cover then please contact any electrical dealer for a replacement or ring our helpline.
4. A replacement fuse must be rated at 13 amp. These must be manufactured and approved to BS 1362.
5. **IF IN ANY DOUBT CONTACT A QUALIFIED ELECTRICIAN.**
If you need to fit a plug to the mains lead, this should be fitted in accordance with the wiring instructions below, and will need to be used with a 13 amp fuse. If in doubt consult a qualified electrician. If you are using an extension lead it must be rated at a minimum of 6 amps and fully unwound. Do not operate with a lead rated at less than 6 amps as this will cause premature failure of the motor which is not covered by the guarantee.

As the colours of the wires in the mains lead of the application may not correspond with the coloured markings identifying the terminals in your plug, proceed as follows:

The wire which is coloured blue must be connected to the terminal which is marked with the letter N or coloured black. The wire which is coloured brown must be connected to the terminal which is marked with the letter L or coloured red.



Information on the disposal of waste electrical and electronic equipment known as WEEE:

Your attention is brought to new directives applicable to the disposal of this electrical equipment, where in accordance with the legislation this product must not be disposed of in your normal household waste. Instead it is your responsibility to dispose of this type of waste by handing it over to special designated collection points for recovery and recycling. This product is marked with a 'Wheelie' symbol with a cross on it to remind you of this action. The objective of this directive is to help conserve resources and ensure that it is recycled in a manner that protects human health and the environment. For more information about where you can drop off your waste please contact your local authority, take back facilities are free of charge.



GUARANTEE

This product is guaranteed for a period of two (2) years against faulty materials and workmanship. The guarantee specifically excludes the use for hire or rental purposes.

Whilst every possible care is taken by Earlex to ensure that our products leave the factory in good working order, Earlex cannot under any circumstances accept liability for problems or damage caused by their subsequent use. Any unit that has been modified in any way or used on incorrect voltage will not be covered by guarantee. Consumables such as filters are not covered by guarantee.

This guarantee does not affect your statutory rights.

In the event of a fault occurring please contact our helpline before returning the unit to our Service Department at the address below together with a copy of your purchase receipt. All repairs will be dealt with speedily.

Copyright & Design Right Reserved ©

EC Declaration of Conformity

We declare that the unit: WD1000 conforms to: 2006/95/EC, EN60335-2-2 & 2004/108/EC, EN55014-1, EN55014-2, EN61000-3-2, EN61000-3-3, EMF EN 62233

Tim Hopper Technical Director



Earlex Ltd., Opus Park, Moorfield Road, Guildford, Surrey. GU1 1SZ, UK.

Tel: +44 (0) 1483 454 666. Fax: +44 (0) 1483 454 548.

email: enquiries@earlex.co.uk

www.earlex.com