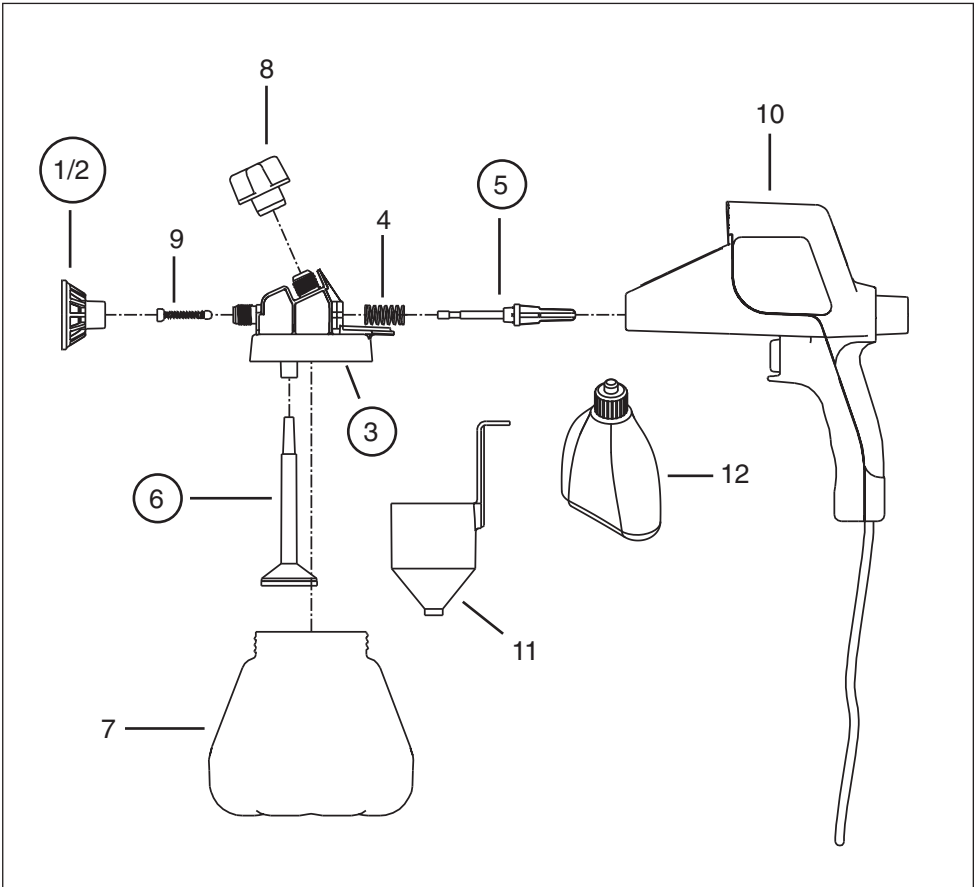


PARTS AND ACCESSORIES



- | | | | |
|-------------------------------------|-------|--|-------|
| 1. 1.0mm Nozzle | SG209 | 8. Clamping Knob | SG266 |
| 2. 0.6mm Nozzle | SG211 | 9. Valve Assembly | SG301 |
| 3. Cylinder Housing Moulding | SG232 | 10. Main Gun Assembly | SG481 |
| 4. Piston Spring 55W | SG234 | (Complete with mains lead and fitted plug) | |
| 5. Piston Assembly | SG237 | 11. Viscosity Cup | SG243 |
| 6. Suction Tube and Filter Assembly | SG240 | 12. Lubricating Oil | SG244 |
| 7. 1.0 Litre Paint Container | SG242 | | |

* Circled numbers need to be cleaned after every use.